

Double Vision

850

Light up two rooms with
a see-through fireplace



Celebrating
30
Years

real flame
the hearth of australia

Leaders in
Gas Fireplace
Technology



Light up two rooms with a see-through fireplace

Our Double Vision gas fireplace is designed for the modern home, with unique styling and simple lines. This see-through fireplace becomes the warm focus of two rooms at once, bringing a warm ambience to more of your home.



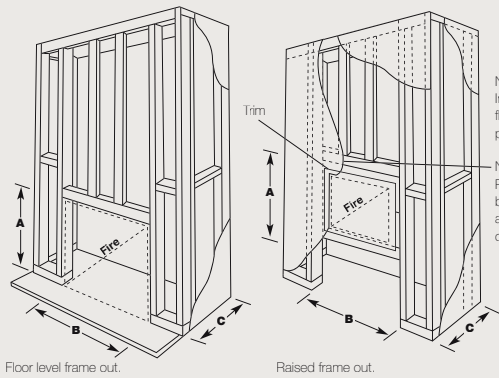
Celebrating
30
Years

- 🔥 Conceived, designed, researched, developed and built in Australia
- 🔥 Decorative
- 🔥 Conventional or Power flue
- 🔥 Pebbles or Coals and Logs
- 🔥 New application
- 🔥 Traditional or contemporary
- 🔥 Glass back or sides optional
- 🔥 Millivolt ignition
- 🔥 Natural gas or LPG



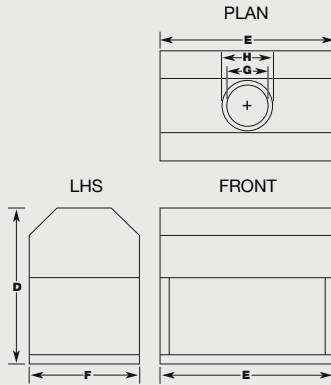
Specifications & Construction

New Construction

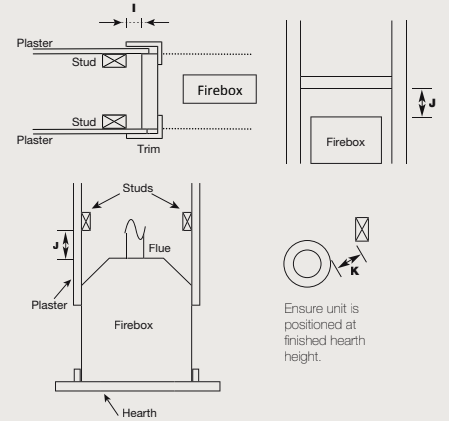


NOTE:
Install unit and
flue prior to
plastering.

NOTE:
Plaster to run
beyond studs
and behind trim
or square edge.

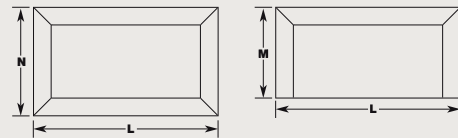
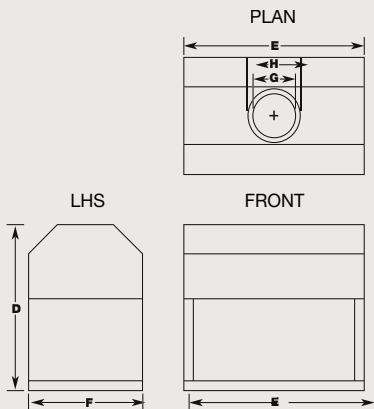


Clearance to Combustibles



	A	B	C	D	E	F	G	H	I	J	K	NG Mj/h	LP Mj/h	GPO REQ'D	VENTILATION
850	950	1000	600	850	950	600	225	275	25	100	25	52	49	NO	40000mm ²

Trims



TRIMS	L	M	N
DOUBLE VISION	1043	513	613

Warranty: Provided your Real Flame Gas Fire is installed by a licensed Gas Fitter in accordance with our Installation Instructions and operated in accordance with our Operating Manual, your Firebox is warranted for ten years and all other parts for one year from date of purchase. Refer to our website or our Installation and Operating Manual for a comprehensive warranty.



CRADLE MOUNTAIN FIREPLACES

T +61 3 6362 0922 F +61 3 6362 0999

sales@cradlemountainfireplaces.com.au

www.cradlemountainfireplaces.com.au



Leaders in
Gas Fireplace
Technology